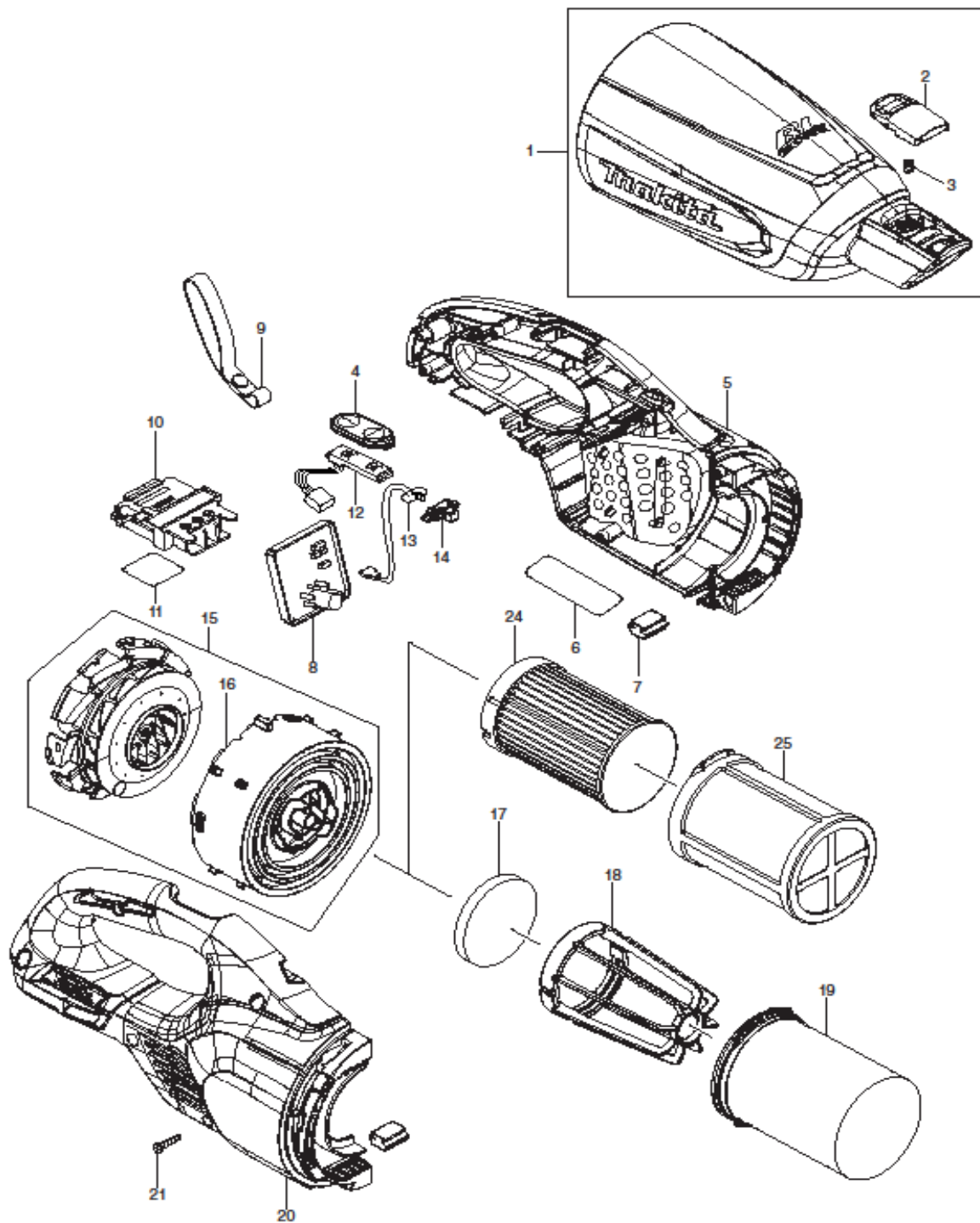


pos.no	part.no	description	used qty	pc/set
1		136105-1 CAPSULE ASS'Y	1	
1	C10	266326-2 TAPPING SCREW 4X18	1	PC.
1	C20	424208-6 VALVE	1	PC.
1	C30	941051-3 FLAT WASHER 4	1	PC.
1	D10	INC. 2,3	0	
001A		136096-6 CAPSULE COMPLETE ASS'Y	1	
001A	C10	266326-2 TAPPING SCREW 4X18	1	PC.
001A	C20	424208-6 VALVE	1	PC.
001A	C30	941051-3 FLAT WASHER 4	1	PC.
001A	D10	INC. 2,3	0	
001B		136106-9 CAPSULE ASS'Y	1	
001B	C10	266326-2 TAPPING SCREW 4X18	1	PC.
001B	C20	424208-6 VALVE	1	PC.
001B	C30	941051-3 FLAT WASHER 4	1	PC.
001B	D10	INC. 2,3	0	
2		458939-5 BUTTON A	1	PC.
3		232485-4 COMPRESSION SPRING 5	1	PC.
4		144096-2 SWITCH PLATE COMPLETE	1	PC.
5		183M13-5 HOUSING SET	1	
5	C10	263005-3 RUBBER PIN 6	2	PC.
5	C20	422458-7 SPONGE SHEET 55-80	2	
5	C30	213008-7 O RING 22.4	2	PC.
5	D10	INC. 7,20	0	
005A		183L71-5 HOUSING SET	1	
005A	C10	263005-3 RUBBER PIN 6	2	PC.
005A	C20	422458-7 SPONGE SHEET 55-80	2	
005A	C30	213008-7 O RING 22.4	2	PC.
005A	D10	INC. 7,20	0	
005B		183M15-1 HOUSING SET	1	
005B	C10	263005-3 RUBBER PIN 6	2	PC.
005B	C20	422458-7 SPONGE SHEET 55-80	2	
005B	C30	213008-7 O RING 22.4	2	PC.
005B	D10	INC. 7,20	0	
6		855T19-2 DCL281F NAME PLATE	1	
7		422460-0 RUBBER PLATE	2	
8		620A75-5 CONTROLLER	1	
10		643874-2 TERMINAL	1	PC.
11		855T26-5 DCL281F SERIAL NO. LABEL	1	
12		620A77-1 SWITCH UNIT	1	
13		620A76-3 LED CIRCUIT	1	
14		459478-8 LENS CASE	1	
15		136092-4 MOTOR ASS'Y	1	
15	D10	INC. 16	0	
16		459322-9 FAN COVER	1	
17		422268-2 SPONGE SHEET 57	1	PC.
18		458467-0 STAY	1	PC.
19		199966-0 HIGH PERFORMANCE FILTER SET	1	

20		183M13-5	HOUSING SET	1	
20	C10	263005-3	RUBBER PIN 6	2	PC.
20	C20	422458-7	SPONGE SHEET 55-80	2	
20	C30	213008-7	O RING 22.4	2	PC.
20	D10		INC. 5,7	0	
020A		183L71-5	HOUSING SET	1	
020A	C10	263005-3	RUBBER PIN 6	2	PC.
020A	C20	422458-7	SPONGE SHEET 55-80	2	
020A	C30	213008-7	O RING 22.4	2	PC.
020A	D10		INC. 5,7	0	
020B		183M15-1	HOUSING SET	1	
020B	C10	263005-3	RUBBER PIN 6	2	PC.
020B	C20	422458-7	SPONGE SHEET 55-80	2	
020B	C30	213008-7	O RING 22.4	2	PC.
020B	D10		INC. 5,7	0	
21		266429-2	TAPPING SCREW 3X16	7	PC.
A01		123488-8	FLOOR T-NOZZLE 28 BLU	1	PC.
A01	C10	451410-8	ROLLER	4	PC.
A01	C20	268208-4	PIN 3	4	PC.
A01	C30	424096-1	WIPER	1	PC.
A01A		123486-2	FLOOR T-NOZZLE 28 WHI	1	PC.
A01A	C10	451410-8	ROLLER	4	PC.

A01A	C20	268208-4	PIN 3	4	PC.
A01A	C30	424096-1	WIPER	1	PC.
A01B		123539-7	FLOOR T-NOZZLE 28 BLA	1	PC.
A01B	C10	451410-8	ROLLER	4	PC.
A01B	C20	268208-4	PIN 3	4	PC.
A01B	C30	424096-1	WIPER	1	PC.
A02		451243-1	SASH NOZZLE 28 BLU	1	PC.
A02A		451240-7	SASH NOZZLE 28 WHI	1	PC.
A02B		456586-6	SASH NOZZLE 28 BLK	1	PC.
A03		459356-2	PIPE	1	
A03A		459353-8	PIPE	1	
A03B		458942-6	PIPE	1	PC.
A04		459355-4	NOZZLE HOLDER	1	
A04A		459354-6	NOZZLE HOLDER	1	
A04B		459038-6	NOZZLE HOLDER	1	PC.



2019/01
DCL281F